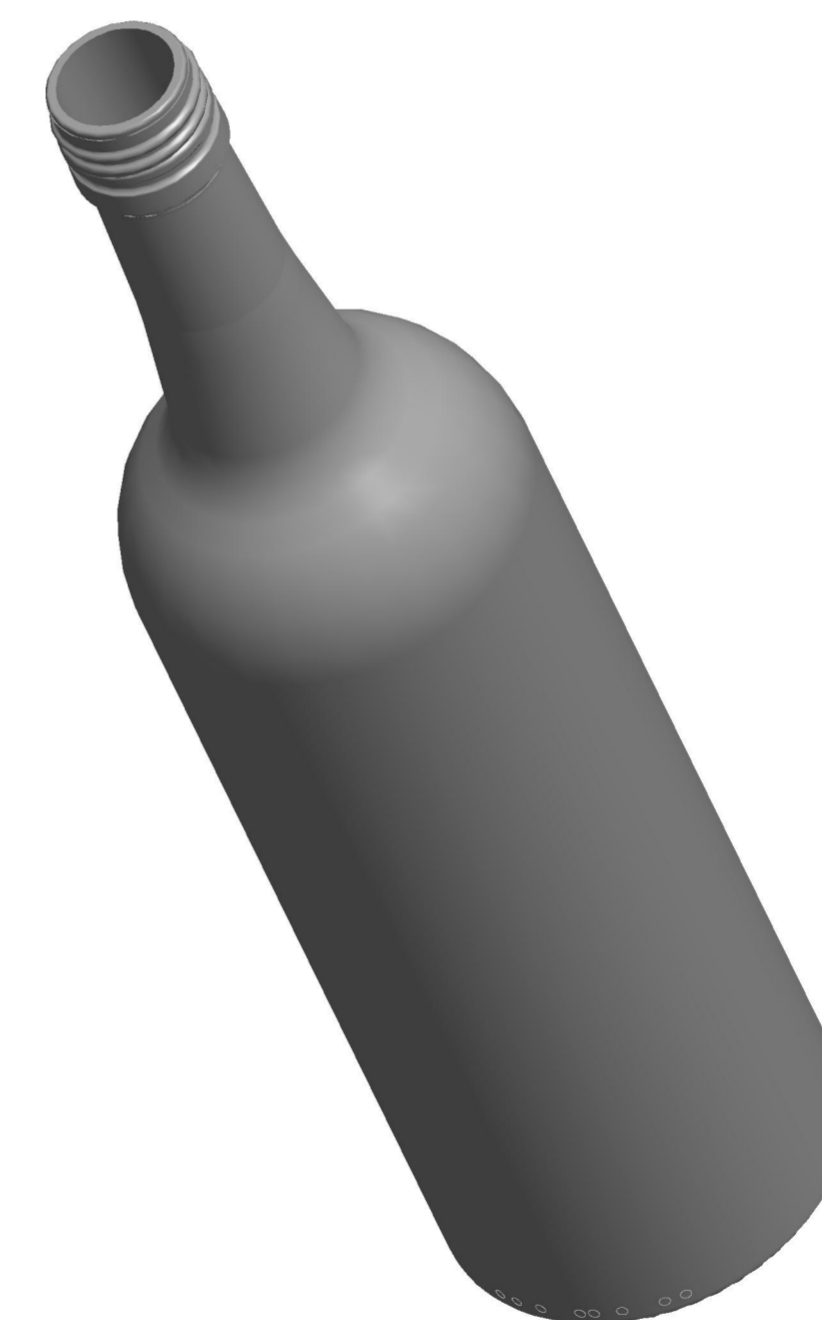
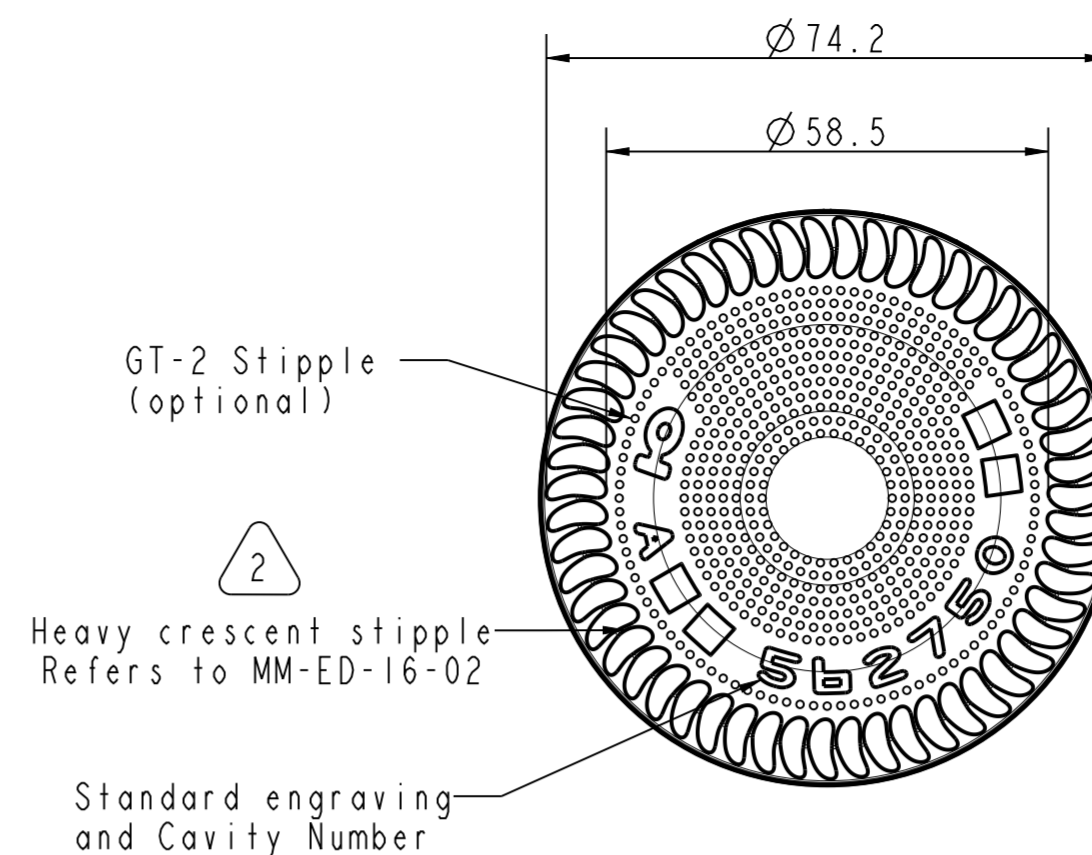
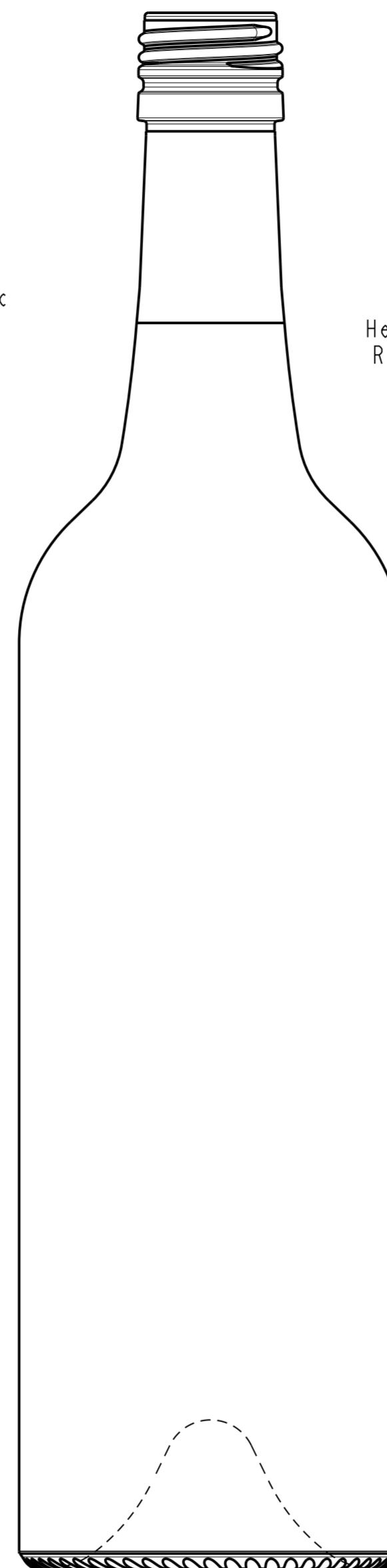
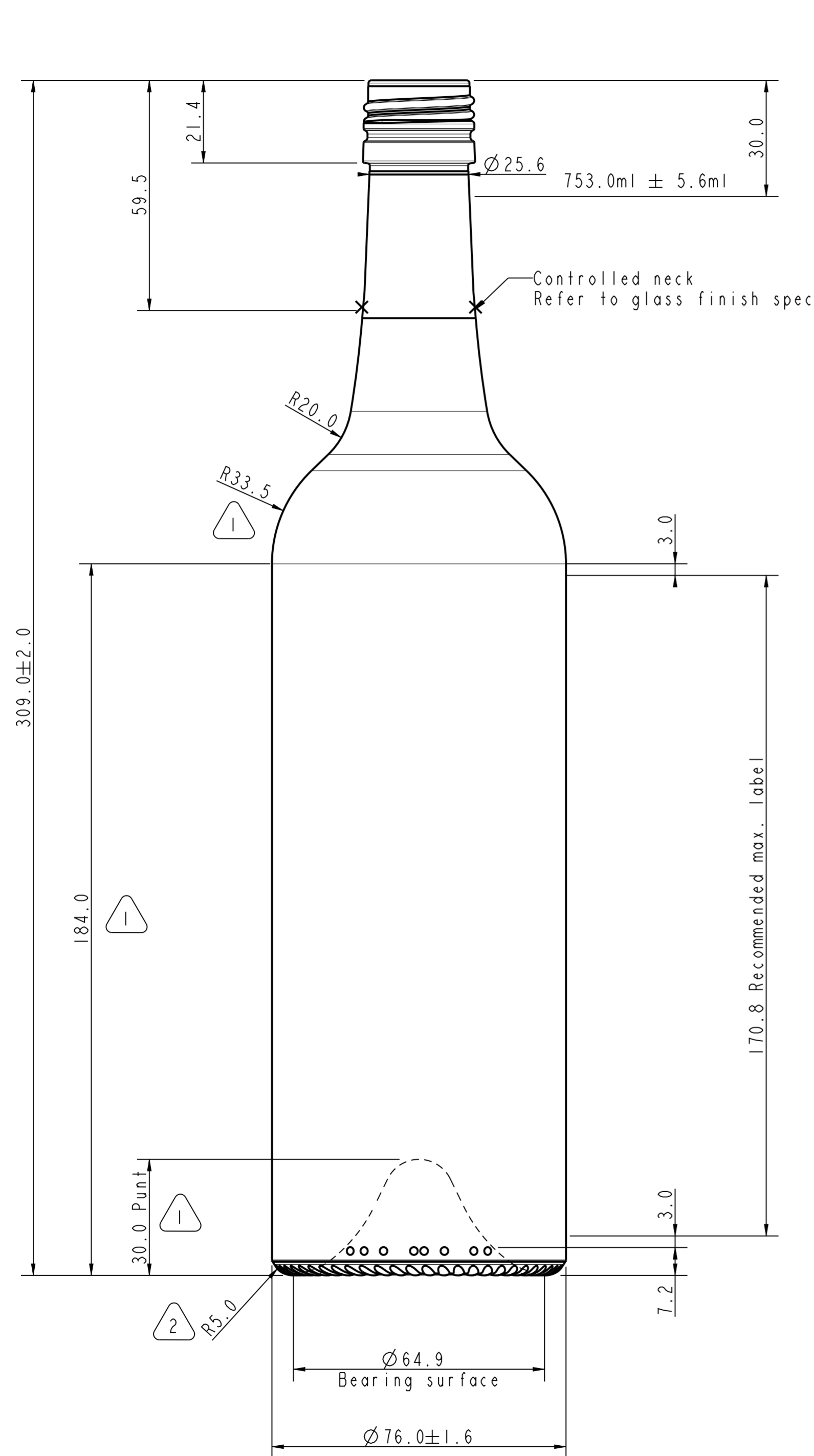


ASIA PACIFIC - AUSTRALIA

Level 5, 600 Bourke Street,
Melbourne, VIC 3000
+61 3 9236 2311

COPYRIGHT O-I OPERATIONS (AUSTRALIA) PTY LTD ("O-I"). MUST NOT BE COPIED IN WHOLE OR PART WITHOUT WRITTEN PERMISSION FROM O-I. THIS DRAWING CONTAINS INFORMATION WHICH IS CONFIDENTIAL TO O-I AND MUST BE USED ONLY AS DIRECTED BY O-I. THIS DRAWING MUST NOT BE DISCLOSED TO ANYONE WITHOUT THE WRITTEN CONSENT OF O-I. CUSTOMER HEREBY INDEMNIFIES AND HOLDS O-I HARMLESS FOR ANY LOSS, DAMAGE OR LIABILITY WHICH O-I MAY INCUR IF THE DESIGN, MANUFACTURE AND SUPPLY OF THE CONTAINERS IN ACCORDANCE WITH THE INSTRUCTIONS OR REQUIREMENTS OF CUSTOMER INFRINGES THE INTELLECTUAL PROPERTY RIGHTS OF ANY THIRD PARTY.

SPECIFICATION AGREEMENTS ARE BASED ON TOLERANCED DIMENSIONS ONLY. ALL DIMENSIONS IN MILLIMETRES (mm).



Note:
This container has a 2.0 max.
Gas Volume rating for flint and arctic blue only.
Refer to 31589-WS for standard heel with CID.

No	DATE	REVISIONS	DESIGN/CHECK
2	13/3/20	Was standard bar stipple; bearing radius was 4.0	SB/TT
1	27/2/20	Punt height was 35mm; shoulder height was 184.5; shoulder radius was 35	SB

EQUIVALENT			
MOULD EQUIPMENT ORDERED BY:			
PLANT			
N.P.D. PROJECT NUMBER NPD1366	SCALE 1:1		
VACUITY 1.4%	TILT ANGLE PREDICTED: 15.9° VERIFIED:		
SURFACE TREATMENT PERMANENT	BRIMFUL VERIFIED NO		
MINIMUM THROUGH BORE 17.5 mm			
CONTAINER OVERFLOW CAPACITY (BRIMFUL)			
763.5ml Approx.			
CONTAINER RATED CAPACITY (FILL CAPACITY)			
753.0ml ± 5.6ml			
CONTAINER WEIGHT			
530g			
FINISH DESIGNATION 30 x 60 CETIE BVS [GRP-29394]		MAX. GAS VOLUME 0.0 SEE NOTE	
PROCESS B&B	RETURNABLE NO	DESIGN REF. 31589-WS	
Stock			
750ml BVS Premium Bordeaux			
DESIGNER	YS Ong	DATE	27 May 19
CHECKED	T Tran	DATE	27 May 19
DRAWING NUMBER 562750-WS		MOULD NUMBER 562750	